



Single Lever Faucets

TAG:

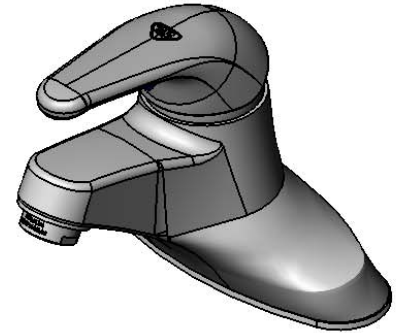
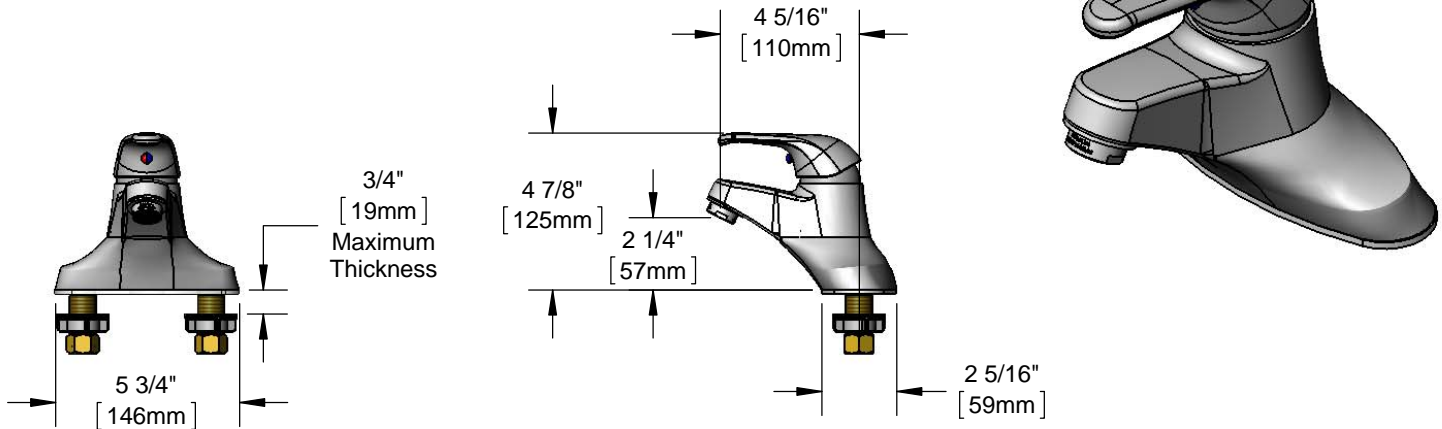
B-2711-VF05

4" Centerset Single Lever Faucet

Architect/Engineering Specifications:

4" centerset, deck mount lavatory single lever faucet, polished chrome brass body with integral spout, 0.5 GPM vandal resistant non-aerated spray device, ceramic cartridge with adjustable temperature limit stop, single lever handle and 1/2" NPSM male inlets with coupling nuts. Certified to ASME A112.18.1/CSA B125.1, NSF 61-Section 9 and NSF 372. Meets ADA ANSI/ICC A117.1 requirements.

Job Name _____
 Model Specified _____ Quantity _____
 Variations Specified _____
 Date _____



Features & Benefits:

- 4" centerset, deck mount lavatory single lever faucet
- Polished chrome brass body with integral spout
- 0.5 GPM vandal resistant non-aerated spray device, Series 9 (B-0199-09-N05)
- Single lever handle with color coded index
- Ceramic cartridges with adjustable temperature limit stop
- 1/2" NPSM male inlets with coupling nuts
- Mounting hardware and deck gasket
- Material: Polished chrome plated brass body, chrome plated metal handle

Product Compliance:

- ASME A112.18.1 / CSA B125.1
- NSF 61 - Section 9
- NSF 372 (Low Lead Content)
- ANSI A117.1 (ADA)

Warranty: One Year (Limited)

- Ceramic Cartridge: Two Year (Limited)

Performance Data:

- Pressure: 20 - 125 psi
- Temperature: 40°F - 140°F
- Flow Rate: 0.5 GPM @ 60 psi



ADA Compliant

Optional Outlets (Series 4 / VR Series 9)

GPM	Aerated	Non-Aerated (Laminar)	VR Aerated	VR Non-Aerated (VR Laminar)
0.35	N/A	<input type="checkbox"/> B-0199-04-N035	N/A	<input type="checkbox"/> B-0199-09-N035
0.5	N/A	<input type="checkbox"/> B-0199-04-N05	N/A	Standard
1.0	N/A	N/A	N/A	<input type="checkbox"/> B-0199-09-LF10
1.5	<input type="checkbox"/> B-0199-04-WS	N/A	<input type="checkbox"/> B-0199-09-WS	<input type="checkbox"/> B-0199-09-LF15
2.2	<input type="checkbox"/> B-0199-04	<input type="checkbox"/> B-0199-25	<input type="checkbox"/> B-0199-09	<input type="checkbox"/> B-0199-27



T&S BRASS AND BRONZE WORKS, INC.



• 2 Saddleback Cove • Travelers Rest, SC 29690
 Ph 800-476-4103 • Fax 864-834-3518
 • Simi Valley, CA • Ph 800-423-0150 • www.tsbrass.com

Date: 03/26/15